

# VERSAQUONSET GREENHOUSES



**HORTICULTURAL SUPPLIES, INC.®**  
a Midwest-Orum Company  
P.O. BOX 398 • MAPLE PARK, IL 60151  
630-365-1990 • FAX 630-365-3818  
[WWW.MIDWEST-TRADING.COM](http://WWW.MIDWEST-TRADING.COM)

CONTACTS

Illinois, Southern Wisconsin,  
Northern Indiana, Missouri, Iowa  
Dawn Gargano 847-774-1001

Customer Service/Inside Sales  
630-365-1990

Chicagoland, Central Indiana, Minnesota,  
Wisconsin, Michigan, Nebraska  
Ryan Wagner 815-509-0097

# VERSAQUONSET GREENHOUSES

Midwest Trading offers 2 models of VersaQuonsets. The standard model is made of strong galvanized 1 3/8" o.d., 16 gauge tubing. The Pro-Line Heavy Duty model is made of 1 5/8" o.d., 15 gauge tubing. Only the highest quality materials and workmanship are used to ensure long life and durability of our products. All VersaQuonsets are manufactured to be installed in 4' increments for structural stability.

We provide complete detailed instructions and diagrams for quick and easy construction. Houses are ideal for a variety of uses:

- ▶ Overwintering plant material
- ▶ Heated crop greenhouse (with double poly and blower)
- ▶ Frost protection or shade house in season
- ▶ Storage space for vehicles, tractors, equipment, etc.
- ▶ Product display or walk-in sales area
- ▶ Bulk product bin covers
- ▶ Hanging basket runs

## Our VersaQuonset Greenhouses are available in six standard widths:

- ▶ VersaQuonset 13 (13' width)
- ▶ VersaQuonset 16 (16' width)
- ▶ VersaQuonset 22 (22' width)
- ▶ Pro-Line 16 (16' width) Heavy Duty\*
- ▶ Pro-Line 20 (20' width) Heavy Duty\*
- ▶ Pro-Line 24 (24' width) Heavy Duty\*

*\*Recommended for hoop houses of salt bins with heavy duty coverings*



# VERSAQUONSET GREENHOUSES

## VersaQuonset Kits

Our standard VersaQuonsets are 80' in length. Custom lengths are available in 4' increments. **Poly and shade cloth not included.** When ordering a 16' VersaQuonset, or the 16', 20' or 24' Pro-Line, you will see a slightly different look due to our computerized pipe-bending equipment. The bend starts out straight, approximately 1 ft on the 16' hoop, 1 ft. 8 inches on the 20' hoop, and 4 ft on the 24' hoop, and then arches. Our VersaQuonset 13 & 22 have not changed. If you are replacing or adding to an existing house, please let us know and we can custom bend the tubing for you in the original design (original design is for houses built before 2003).

Midwest Trading does not custom cut steel hoops and sells only the listed widths.

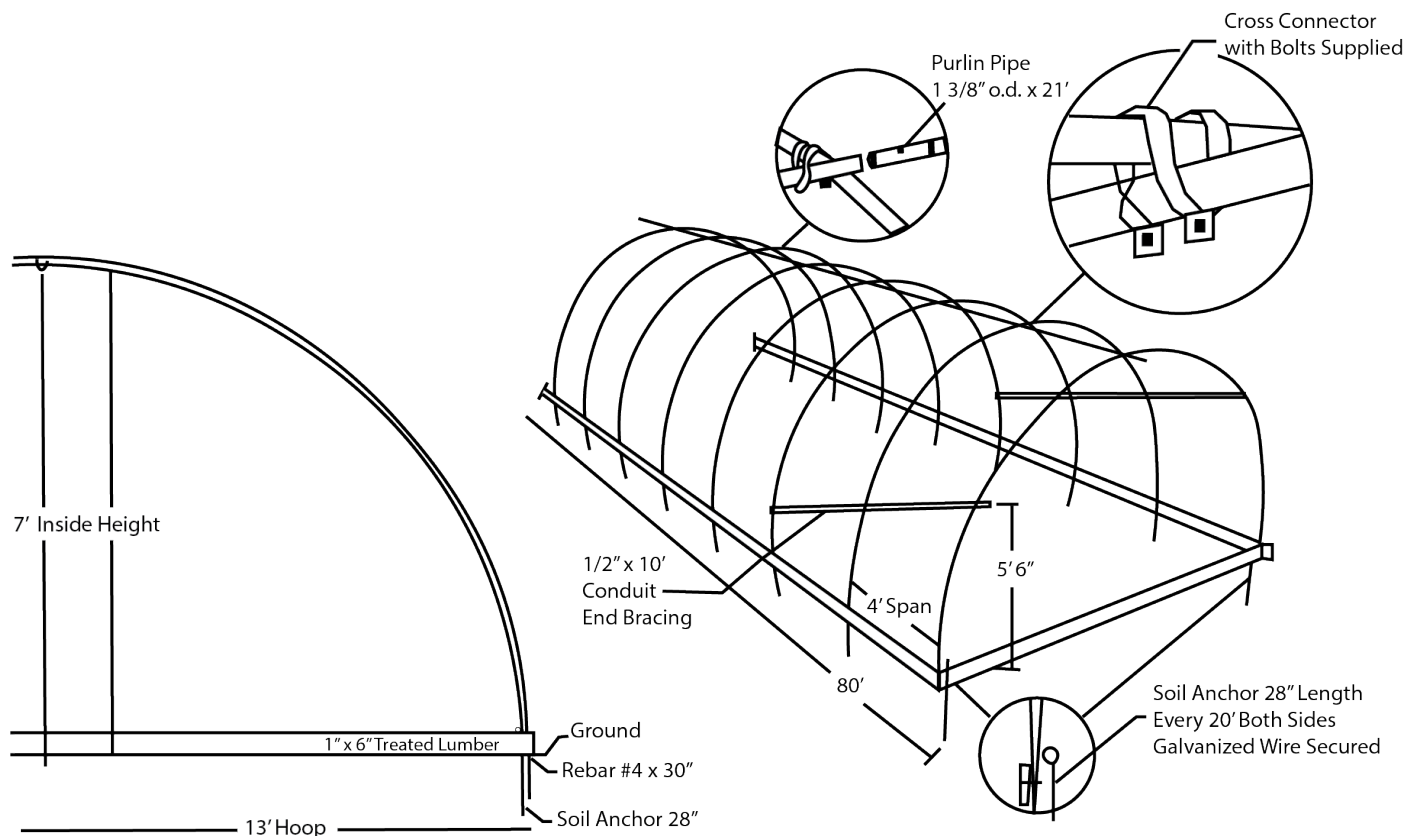
### 13' x 80' Kit

#### 3 Season • Uses 24' width Poly, 21'4" width Shade Cloth

Description (available in original design only)

	Product Number	Quantity
1 3/8" o.d. Structure (hoop)	1437	21
1 3/8" o.d. x 21' Purlin Pipe (straight)	1420	4
Cross Connectors (with bolts)	1450	21
Rebar #4, 30" length	1460	42
Galvanized Wire - 8" length	1454	42
1" x 6" - 16' Treated Lumber	1467	12
Soil Anchor - 30" length	1464	10
Conduit - 1/2" x 10' E.M.T. (end bracing)	1422	4
Machine Bolt (attach Purlin Pipe)	1459	3
U bolt, 1/4" x 2 3/4" (attach conduit)	1469	10
Stove Bolt (to attach conduit)	1466	12

Please allow 1-2 weeks processing time for all VersaQuonsets.



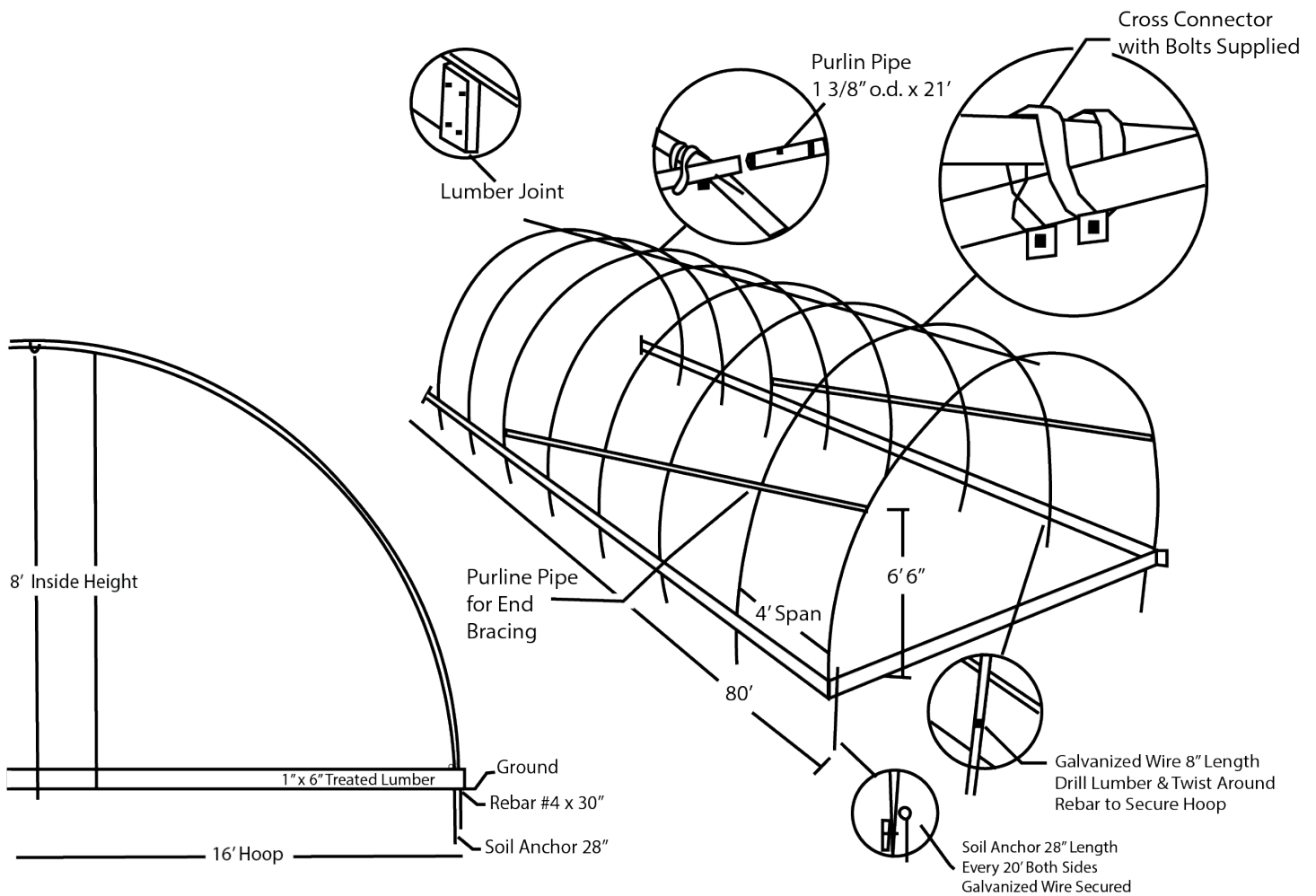
# VERSAQUONSET GREENHOUSES

## 16' x 80' Kit

3 Season • Uses 28' width Poly, 24' width Shade Cloth

Description	Product Number	Quantity
1 3/8" o.d. New Structure Pipe (hoop)	2507	21
1 3/8" o.d. x 21' Purlin Pipe (straight)	1420	4
Cross Connectors (with bolts)	1450	21
1 3/8" o.d. x 21' Purlin Pipe (end bracing)	1416	4
Cross Connectors with bolts (end bracing)	1450	24
Rebar #4, 30" length	1460	42
Galvanized Wire - 8" length	1454	42
1" x 6" - 16' Treated Lumber	1467	12
Soil Anchor - 30" length	1464	10
Machine Bolt (to attach Purlin pipes)	1459	3
U bolt, 1/4" x 2 3/4" (to attach soil anchors)	1469	10

Please allow 1-2 weeks processing time for all VersaQuonsets.



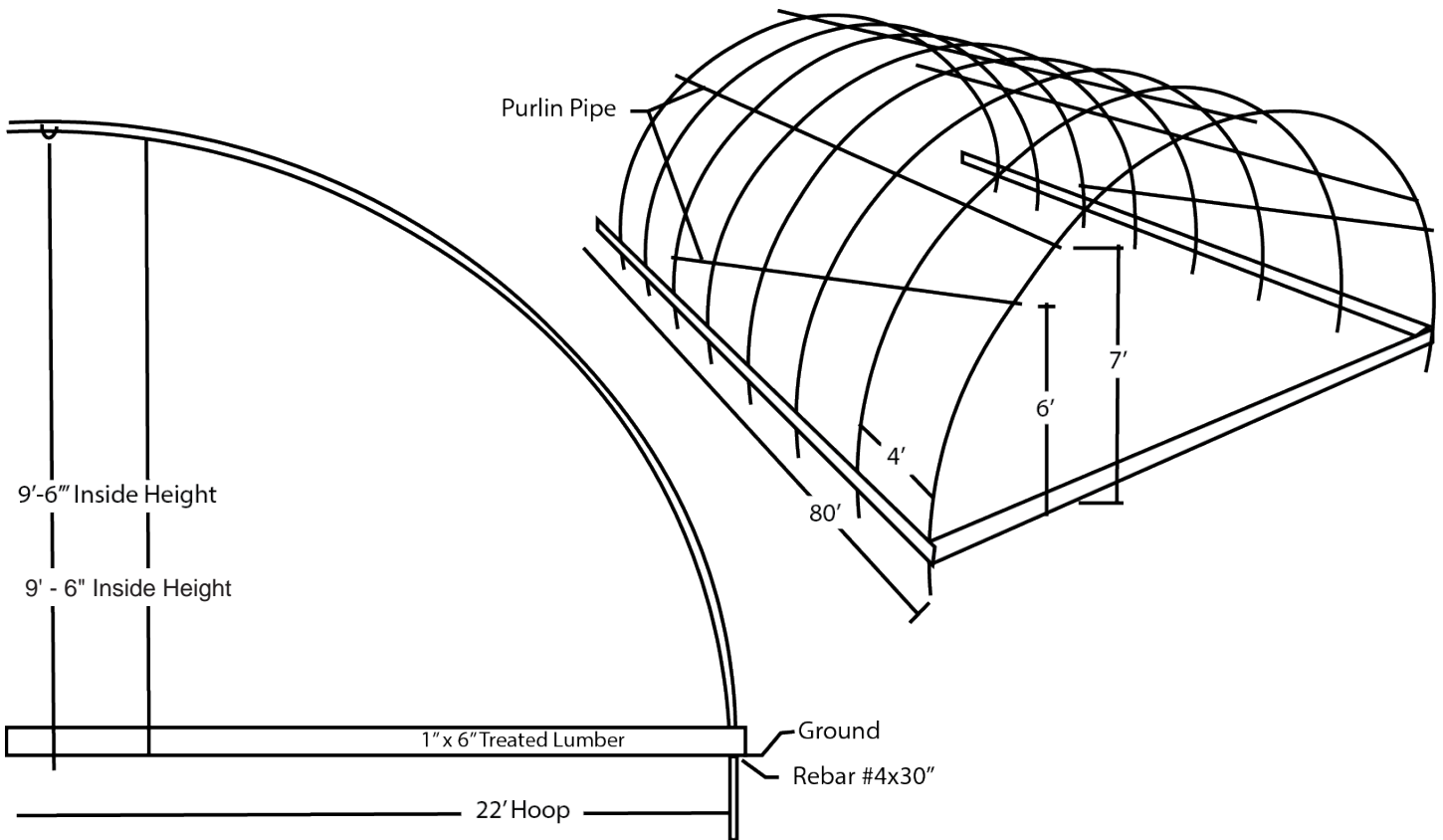
# VERSAQUONSET GREENHOUSES

## 22' x 80' Kit

**3 Season • Uses 36' width Poly, 31'6" width Shade Cloth**  
**Description (available in original design only)**

Description (available in original design only)	Product Number	Quantity
1 3/8" o.d. Structure (hoop)	1439	21
1 3/8" o.d. x 21' Purlin Pipe (straight)	1420	12
Cross Connectors (with bolts)	1450	63
1 3/8" o.d. x 21' Purlin Pipe (end bracing)	1416	4
Cross Connectors (end bracing)	1450	24
Rebar #4, 30" length	1460	42
Galvanized Wire - 8" length	1454	42
1" x 6" - 16' Treated Lumber	1467	13
Soil Anchor - 30" length	1464	10
Machine Bolt (attach Purlin Pipe)	1459	30
U bolt, 1/4" x 2 3/4" (attach conduit)	1469	10

Please allow 1-2 weeks processing time for all VersaQuonsets.



# VERSAQUONSET GREENHOUSES

## Pro-Line Heavy Duty VersaQuonset Kits

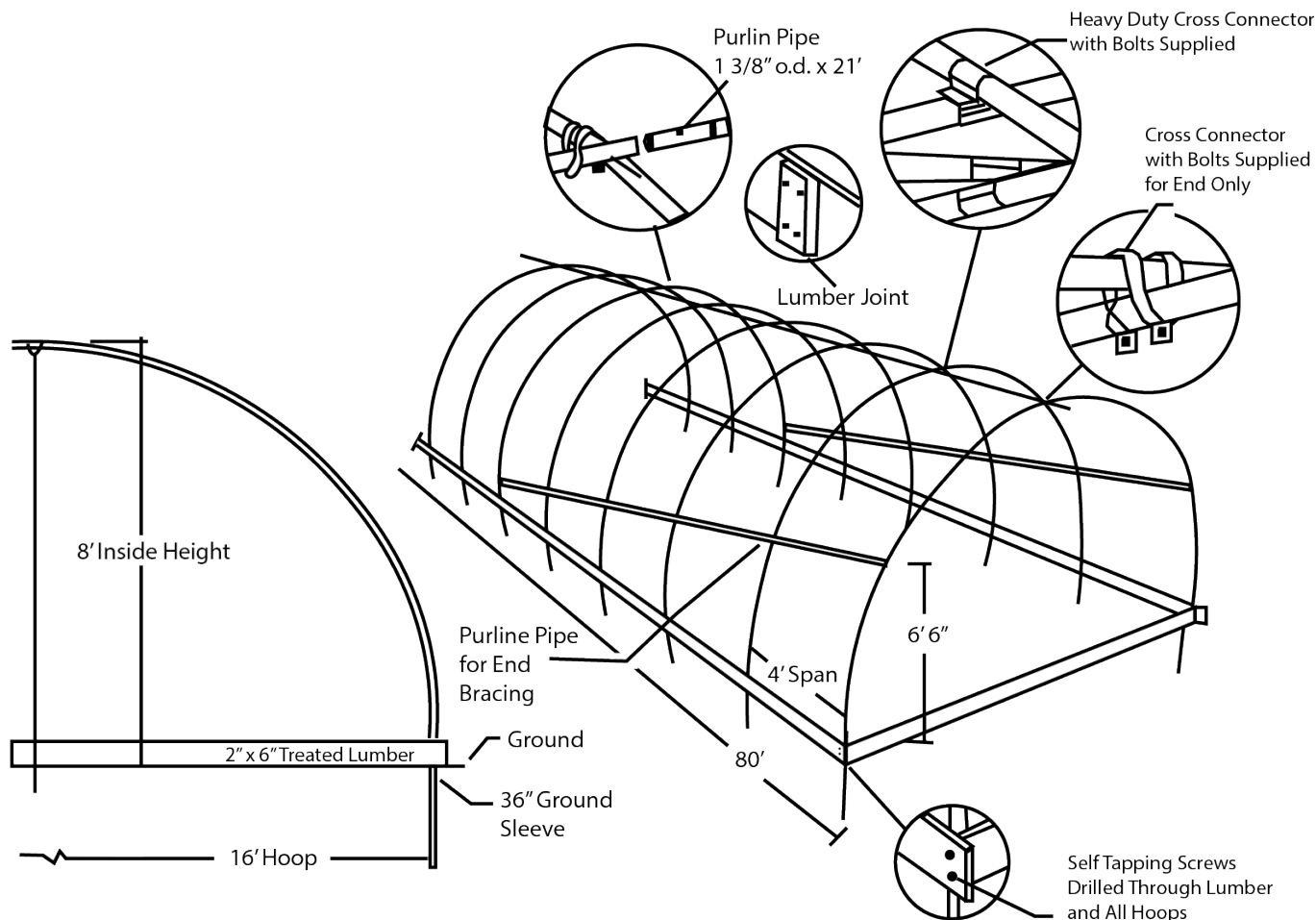
The 16', 20', and 24' Pro-Line VersaQuonset Greenhouses are made of stronger 1 5/8" o.d., 15 gauge tubing. Heavy duty cross connectors and ground sleeves are used to achieve greater rigidity. They are ideal for areas (like open fields) that are not protected from extreme weather conditions. Also, an excellent choice for bin covers (more hardware required). We offer 3' through 6' risers to extend the height of your house. **Custom poly and shade cloth are available by special order, not included in price** (please allow 3 weeks).

### 16' x 80' Pro-Line Kit

4 Season • Uses 28' width Poly, 24' width Shade Cloth

Description	Product Number	Quantity
1 5/8" o.d. New Structure Pipe (hoop)	2508	21
1 3/8" o.d. x 21' Purlin Pipe (straight)	1420	4
Heavy Duty Cross Connector Bracket	1880	19
Cross Connectors with 1 5/8" x 1 3/8" bolts for ends	1451	2
1 3/8" o.d. x 21' Purlin Pipe (end bracing)	1416	4
Cross Connectors with 1 5/8" x 1 3/8" bolts	1451	24
Groundsleeve - 3' length	1423	42
Treated Lumber 2" x 6" - 16'	1468	12
Treated Lumber 1" x 6" - 16'	1467	1
Machine Bolts (to attach Purlin Pipe)	1459	3
Self - Tapping Screws (to attach lumber to hoop)	1461	84

Please allow 1-2 weeks processing time for all VersaQuonsets.



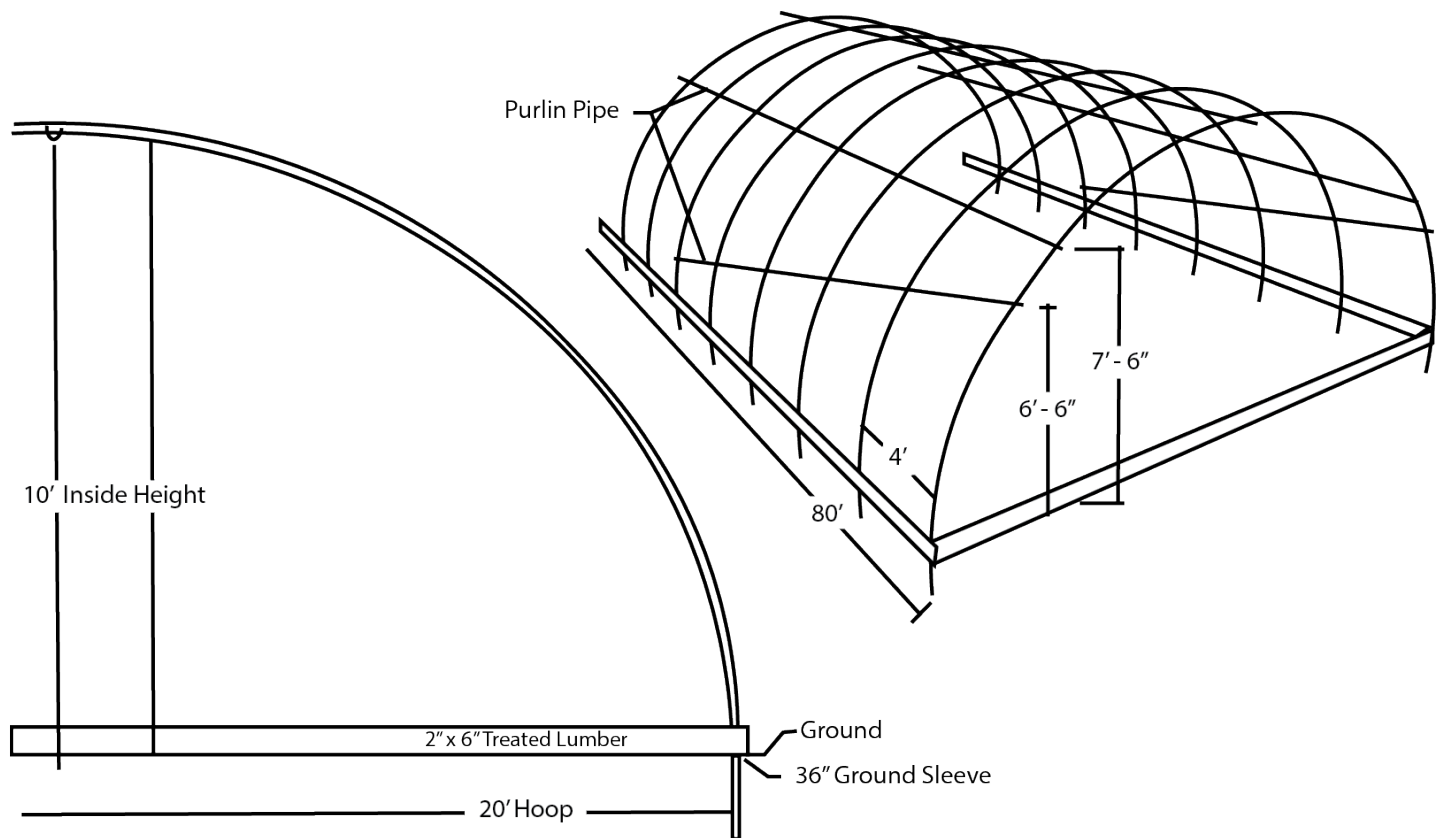
# VERSAQUONSET GREENHOUSES

## 20' x 80' Pro-Line Kit

4 Season • Uses 36' width Poly, 31'6" width Shade Cloth

Description	Product Number	Quantity
1 5/8" o.d. New Structure Pipe (hoop)	2509	21
1 3/8" o.d. x 21' Purlin Pipe (straight)	1420	12
Heavy Duty Cross Connector Bracket	1880	57
Cross Connectors with 1 5/8" x 1 3/8" bolts for ends	1451	6
1 3/8" o.d. x 21' Purlin Pipe (end bracing)	1416	4
Cross Connectors with 1 5/8" x 1 3/8" bolts	1451	24
Groundsleeve - 3' length	1423	42
Treated Lumber 2" x 6" - 16'	1468	13
Treated Lumber 1" x 6" - 16'	1467	1
Machine Bolts (to attach structural pipes)	1458	21
Self - Tapping Screws (to attach lumber to hoop)	1461	84
Machine Bolts (to attach Purlin Pipe)	1459	9

Please allow 1-2 weeks processing time for all VersaQuonsets.



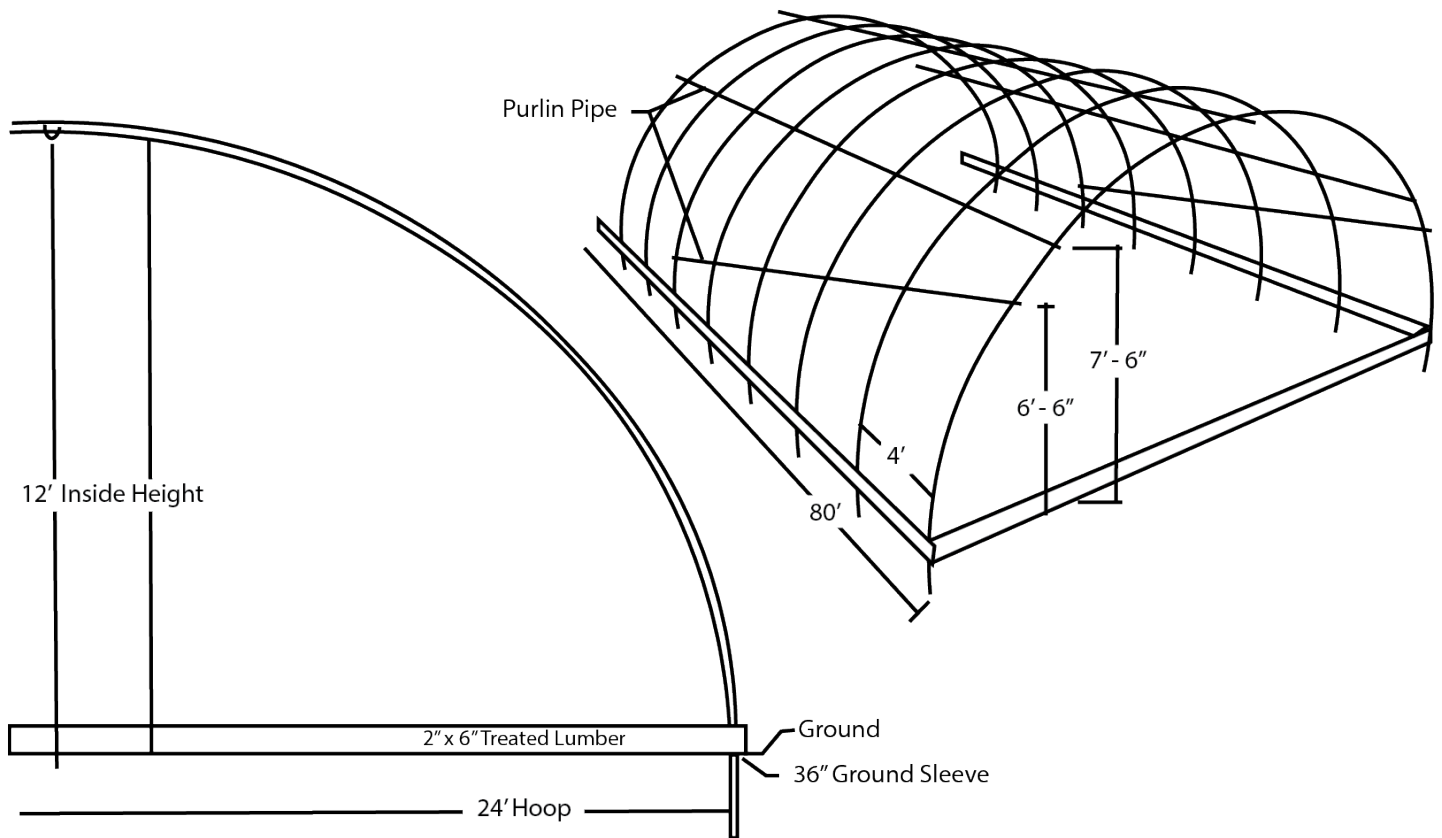
# VERSAQUONSET GREENHOUSES

## 24' x 80' Pro-Line Kit

4 Season • Uses 42' width Poly, 36' width Shade Cloth

Description	Product Number	Quantity
1 5/8" o.d. New Structure Pipe (hoop)	2510	21
Machine Bolt (connects hoops at top)	1458	21
1 3/8" o.d. x 21' Purlin Pipe (straight)	1420	12
Heavy Duty Cross Connector Bracket	1880	57
Cross Connectors with 1 5/8" x 1 3/8" bolts for ends	1451	6
1 3/8" o.d. x 21' Purlin Pipe (end bracing/non-swaged)	1416	4
Cross Connectors with 1 5/8" x 1 3/8" bolts	1451	24
Groundsleeves - 3' length	1423	42
Treated Lumber 2" x 6" - 16'	1468	13
Treated Lumber 1" x 6" - 16'	1467	1
Self - Tapping Screws (to attach lumber to hoop)	1461	84
Machine Bolts (to attach purlin)	1459	9

Please allow 1-2 weeks processing time for all VersaQuonsets.





# VERSAQUONSET GREENHOUSES

## VersaQuonset Covering Films

We maintain a year round inventory of 4 millimeter and 6 millimeter thickness. Please call to verify in stock items, custom and out of stock sizes are available by special order, please allow 2-3 weeks for delivery.

- ▶ 12' width is used on the VersaQuonset 6 Conduit Cold Frame
- ▶ 24' width is used on VersaQuonset 13
- ▶ 28' width is used on VersaQuonset 16 and Pro-Line 16 with ground sleeves
- ▶ 36' and 40' widths are used on the Pro-Line 20 and VersaQuonset 22

## One Year Clear with UV

This film has a UV additive that gives it 1 year longevity

Product Size & Thickness	Ideal Uses
24' x 60' 4 ml.	VersaQuonset 13
24' x 85' 4 ml.	VersaQuonset 13
24' x 100' 4 ml.	VersaQuonset 13
28' x 60' 4 ml.	VersaQuonset 16 or Pro-Line 16
28' x 100' 4 ml.	VersaQuonset 16 or Pro-Line 16
36' x 60' 4 ml.	VersaQuonset 22 and Pro-Line 20
36' x 100' 4 ml.	VersaQuonset 22 and Pro-Line 20
24' x 60' 6 ml.	VersaQuonset 13
24' x 100' 6 ml.	VersaQuonset 13
36' x 60' 6 ml.	VersaQuonset 22 and Pro-Line 20
36' x 100' 6 ml.	VersaQuonset 22 and Pro-Line 20

## One Year White with UV

This film has a UV additive that gives it 1 year longevity

Product Size & Thickness	Ideal Uses
12' x 100' 4 ml.	VersaQuonset 6 Conduit Cold Frame
24' x 60' 4 ml.	VersaQuonset 13
24' x 100' 4 ml.	VersaQuonset 13
24' x 110' 4 ml.	VersaQuonset 13
28' x 60' 4 ml.	VersaQuonset 16 or Pro-Line 16
28' x 100' 4 ml.	VersaQuonset 16 or Pro-Line 16
40' x 100' 4 ml.	VersaQuonset 22 and Pro-Line 20
36' x 60' 6 ml.	VersaQuonset 22 and Pro-Line 20
36' x 100' 6 ml.	VersaQuonset 22 and Pro-Line 20
40' x 100' 6 ml.	VersaQuonset 22 and Pro-Line 20

# VERSAQUONSET GREENHOUSES

## Overwintering White without UV

This film is primarily used for over-wintering of nursery stock

Product Size & Thickness

Ideal Uses

24' x 60'	4 ml.	VersaQuonset 13
24' x 100'	4 ml.	VersaQuonset 13
24' x 110'	4 ml.	VersaQuonset 13
28' x 60'	4 ml.	VersaQuonset 16 or Pro-Line 16
36' x 60'	4 ml.	VersaQuonset 22 and Pro-Line 20
36' x 100'	4 ml.	VersaQuonset 22 and Pro-Line 20
36' x 110'	4 ml.	VersaQuonset 22 and Pro-Line 20
40' x 100'	4 ml.	VersaQuonset 22 and Pro-Line 20
42' x 100'	4 ml.	Pro-Line 24
48' x 100'	4 ml.	Pro-line 24
24' x 60'	6 ml.	VersaQuonset 13
24' x 100'	6 ml.	VersaQuonset 13
28' x 100'	4 ml.	VersaQuonset 16 or Pro-Line 16
36' x 60'	6 ml.	VersaQuonset 22 and Pro-Line 20
36' x 100'	6 ml.	VersaQuonset 22 and Pro-Line 20
42' x 100'	6 ml.	Pro-line 24
48' x 100'	4 ml.	Pro-line 24

## Four Year Clear with UV

This film has a UV additive. 100% covered against UV degradation

Product Size & Thickness

Ideal Uses

24' x 60'	6 ml.	VersaQuonset 13
24' x 100'	6 ml.	VersaQuonset 13
28' x 60'	6 ml.	VersaQuonset 16 or Pro-Line 16
28' x 100'	6 ml.	VersaQuonset 16 or Pro-Line 16
36' x 60'	6 ml.	VersaQuonset 22 and Pro-Line 20
36' x 100'	6 ml.	VersaQuonset 22 and Pro-Line 20
48' x 60'	6 ml.	Pro-Line 24
48' x 100'	6 ml.	Pro-Line 24

## Four Year Infrared Reflectant Condensate Control

This film has three additives, UV, IR, & CC

*Special order only (please allow 4-6 weeks)*

Product Size & Thickness

Ideal Uses

24' x 60'	6 ml.	VersaQuonset 13
24' x 100'	6 ml.	VersaQuonset 13
28' x 60'	6 ml.	VersaQuonset 16 or Pro-Line 16
28' x 100'	6 ml.	VersaQuonset 16 or Pro-Line 16
36' x 60'	6 ml.	VersaQuonset 22 and Pro-Line 20
36' x 100'	6 ml.	VersaQuonset 22 and Pro-Line 20
48' x 60'	6 ml.	VersaQuonset 22, Pro-Line 24 and Pro-Line 20 with risers
48' x 100'	6 ml.	VersaQuonset 22, Pro-Line 24 and Pro-Line 20 with risers

# VERSAQUONSET GREENHOUSES

## Greenhouse Accessories

Product Name & Description	Ideal Uses
<b>Clear Poly Patch Tape</b> Repairs torn poly 4" x 48'	VersaQuonset or Pro-Line
<b>Clear Poly Patch Tape</b> Repairs torn poly 6" x 48'	VersaQuonset or Pro-Line
<b>Concrete Foot Plate</b> 1 5/8" hoop (2" sleeve)	Pro-Line
<b>Concrete Foot Plate</b> 1 3/8" hoop (1 5/8" sleeve)	VersaQuonset
<b>Griff Tape 4" x 180"</b>	Patching torn Griffolyn covers
<b>Griff Clips</b> Package of 50	Securing Griffolyn covers
<b>Ground Sleeve Driver 1 3/8" (pounding cap)</b>	VersaQuonset
<b>Ground Sleeve Driver 1 5/8" (pounding cap)</b>	Pro-Line
<b>Inflation Blower Bracket Kit</b>	VersaQuonset or Pro-Line
<b>Inflation Blower 60cfm</b>	VersaQuonset or Pro-Line
<b>UV Twine</b>	VersaQuonset or Pro-Line
<b>Vinyl Tack Strip (Batten Strip)</b> Provides quick fastening method for stapling plastic film to wood framing. The tape holds plastic film in place. Easy to use. Just unroll, hold in place and staple every 4" through tape and film into wood. Available in 3/4" x 500' rolls.	VersaQuonset or Pro-Line
<b>White Woven Polypropylene Tape</b> (Scrimweave) This 3" x 1000' roll of strapping is used to hold poly tightly against the greenhouse frame. Prevents flapping of poly during high winds. Fits over the top of greenhouse and is tied across two or more arches. Material similar to chair strapping.	VersaQuonset or Pro-Line

## Risers

Product Size	Ideal Uses
<b>1 3/8" 1.315/16 Gauge (Swaged)</b>	<b>VersaQuonset</b>
6' without holes	
5' without holes	
4' without holes	
3' without holes	
<b>1 5/8" 1.660/15 Gauge (Swaged)</b>	<b>Pro Line Series</b>
6' without holes	
5' without holes	
4' without holes	
3' without holes	

## Greenhouse Tubing / Purlin Pipe

Product Size	Ideal Uses	Product Number Swaged
1 3/8" o.d. x 21' 16 gauge	VersaQuonset	1420
1 3/8" o.d. x 24' 16 gauge	VersaQuonset	N/A
1 5/8" o.d. x 21' 15 gauge	Pro Line Series	1421

# VERSAQUONSET GREENHOUSES

## Spring Lock

Spring Lock system secures flexible covering (from 2 to 20 ml. thick) without pinching, binding or weakening the material. System can be formed to the top of curved bows and around gable-ends. Channel holds 2 springs for a stronger grip and does not change holding characteristics, even with repeated use. Allows film to be removed and *reinstalled seasonally*.

Product Size	Ideal Uses
6' Spring Lock Poly Fastener & Spring Wire 1+ pcs	VersaQuonset or Pro-Line
Extra Spring Wire - Stainless Steel 6.5 feet	VersaQuonset or Pro-Line
Self Drilling screws, 1/2" (Apply every 12" to pipes)	VersaQuonset or Pro-Line
Stainless steel nut & bolt (Apply every 2' to wood & washer)	VersaQuonset or Pro-Line

## Shade Cloth

Stocked 55% black woven shade cloth with reinforced edges and brass grommets every two feet.

*Custom Sizes are available by special order.* Other shade percentages or opacity levels are 30%, 47%, 63%, 73% and 80%. There is possibly up to a 6" variance in sizes.

Product Size - W x L	Ideal Uses
21' - 4" x 20'	VersaQuonset 13'
21' - 4" x 40'	VersaQuonset 13'
21' - 4" x 60'	VersaQuonset 13'
21' - 4" x 80'	VersaQuonset 13'
24' - 0" x 20'	VersaQuonset 16' & Pro-Line 16'
24' - 0" x 40'	VersaQuonset 16' & Pro-Line 16'
24' - 0" x 60'	VersaQuonset 16' & Pro-Line 16'
24' - 0" x 80'	VersaQuonset 16' & Pro-Line 16'
31' - 6" x 20'	VersaQuonset 20', 22' & Pro-line 20'
31' - 6" x 40'	VersaQuonset 20', 22' & Pro-line 20'
31' - 6" x 60'	VersaQuonset 20', 22' & Pro-line 20'
31' - 6" x 80'	VersaQuonset 20', 22' & Pro-line 20'

## Griffolyn®

**Griffolyn® TX-1200 FR** is a 3-ply laminate combining two layers of linear low density polyethylene and a high-strength cord grid. It is specifically engineered to provide high strength and durability in a lightweight material. Available in clear, white over white, or white over black. Please specify color when ordering.

**Special order only (please allow 2-3 weeks)**

**CALL FOR PRICING**

Common Applications:

- ▶ Salt bin and heavy duty hoop house coverings
- ▶ Temporary walls, plant dividers, building enclosures and containment tents
- ▶ Floor covers, dust partitions and cleanroom enclosures
- ▶ Architectural vapor retarder in walls and ceilings and in roofing systems
- ▶ Pallet, cask and drum covers for outside storage
- ▶ Shipping container covers and liners

**Griff Clips®** are a unique fastener for securing the edge of Griffolyn® Bag



Griffolyn® TX-1200 FR



Griff Clips®